



Electronic Controller Logik 19

Logik 19 is an industrial electronic control device suitable for the operation of medium-size screw compressors, both ON/OFF and Inverter Technology.

Easy to install and set, Logik 19 allows the visualization in real time of the compressor status through the wide back-light LCD provided; it detects also any type of failure, turning off the machine automatically.

Logik 19 is provided with nr. 1 serial port RS485 suitable for the connection to PC through Logik Ethernet Interface (remote monitoring) or to other compressors equipped with Logik 9, Logik 19, Logik 26-S, Logik 33-S for Master/Slave or Multiunit operation.



• **Visualizations:**

- pressures
- temperatures
- compressor status
- alarms

• **Easy to set**

Setting parameters on 3 password levels

• **Emergency led**



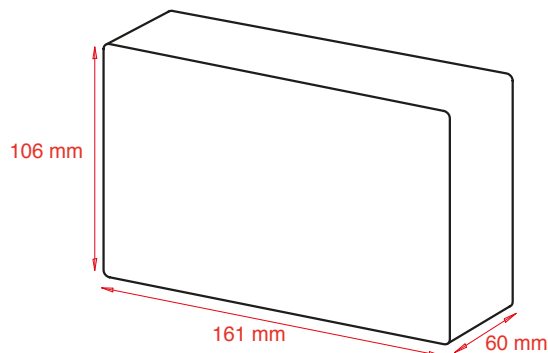


- Conformity to EC and UL 508 regulation.
- Inputs and outputs via terminal-block board to wires
- Black auto-extinguishing box in ABS
 - a) according EC:
IP64 for the front panel and IP20 for the other parts;
 - b) according UL:
Type 1 and Type 12 for front panel mounting,
installation in pollution degree 2 for the other parts
- Working temperature: -10°C (14°F) \div 50°C (122°F)
90% RH (non condensing)
- Storage temperature: -20°C (-4°F) \div 70°C (158°F)
- Power supply: $12\text{Vac} \pm 10\%$ $50 \div 60$ Hz
- Visualization through back light graphic LCD
and nr. 2 leds (yellow – red).
- nr. 6 key buttons: increase, decrease, enter, reset,
start, stop.
- nr. 1 input for temperature probe to detect air-end
temperature.
- nr. 2 inputs for pressure transducer and auxiliary transducer
(settable).
- nr. 3 digital inputs for connection to control phases
Logika Control.
- nr. 1 input for PTC or Klicson for motor protection.
- nr. 7 opto isolated digital inputs $12/24\text{Vac}$ to detect:
 - IN 0 = emergency stop button
 - IN 1 = thermal motor
 - IN 2 = thermal fan
 - IN 3 = remote start/stop (settable)
 - IN 4 = air filter pressure switch (settable)
 - IN 5 = separator filter differential pressure switch (settable)
 - IN 6 = settable

- nr. 7 outputs via relay with contact 1.5A max.:
 - RL1 = line contactor
 - RL2 = delta contactor (settable)
 - RL3 = star contactor
 - RL4 = load solenoid valve
 - RL5 = fan contactor (settable)
 - RL6 = condensate drain (settable)
 - RL7 = alarm (settable)
- nr. 1 output 4-20 mA for inverter fan operation.
- nr. 1 serial port RS484 for:
 - Master/Slave or Multiunit operation, connection to
PC or Ethernet Interface (remote monitoring).
- Non volatile memory to store setting data, working
hours, compressor status, alarm list.
- Check min. and max. power supply to the controller
- The controller switches OFF due to micro interruption
longer than ~ 300 ms

ACCESSORIES:

- nr. 1 temperature probe KTY 13.5 with rubber silicone
cable, length 2.5 m, working range $-10^{\circ} \div 130^{\circ}\text{C}$,
resolution 1°C , precision $\pm 1^{\circ}\text{C}$, to detect air-end
temperature
- nr. 1 Logika control phases unit:
 - for power supply $380 \div 400\text{V}$ three phase
 - for power supply 230V three phase
 - for power supply $440 \div 460\text{V}$ three phase
- nr. 1 pressure transducer 4-20 mA for working pressure
control: 2 wires, AISI 316L stainless steel membrane,
working range $0 \div 15$ bar, resolution $0,1\text{bar}$,
precision $\pm 0,1\text{bar}$.

**LogikaControl**

Via Garibaldi, 83A - 20834 Nova Milanese (MB) Italy
Tel. +39/0362/3700.1 - Fax +39/0362/370030

